



Model Number

NMB10-30GM65-Z0-NFE-V1

Features

- Stainless steel sensing face
- Sensing range 10 mm
- 2-wire DC
- Nonferrous targets

Accessories

V1-G-2M-PUR

Female cordset, M12, 4-pin, PUR cable

V1-W-2M-PUR

Female cordset, M12, 4-pin, PUR cable

V1-G-OR2M-POC

Female cordset, M12, 4-pin, TPE cable, welding-bead resistant

Technical Data

General specifications

Switching function		Normally open (NO)
Output type		Two-wire
Rated operating distance	s_n	10 mm
Installation		flush
Output polarity		DC
Assured operating distance	s_a	0 ... 8.1 mm
Actuating element		Nonferrous targets
Reduction factor r_{Al}		1
Reduction factor r_{Cu}		1.1
Reduction factor r_{304}		0
Reduction factor r_{St37}		0
Reduction factor r_{Brass}		0.9
Output type		2-wire

Nominal ratings

Operating voltage	U_B	6 ... 30 V
Switching frequency	f	5 Hz
Hysteresis	H	3 ... 15 typ. 10 %
Reverse polarity protection		yes
Short-circuit protection		no
Voltage drop	U_d	≤ 5.5 V
Operating current	I_L	2 ... 100 mA
Off-state current	I_r	≤ 1 mA

Indicators/operating means

Operation indicator	4-way LED	Yellow: output
---------------------	-----------	----------------

Standard conformity

Standards	EN 60947-5-2:2007 IEC 60947-5-2:2007
-----------	---

Ambient conditions

Ambient temperature	-40 ... 70 °C (-40 ... 158 °F)
---------------------	--------------------------------

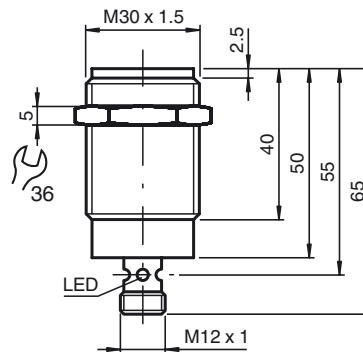
Mechanical specifications

Connection type	Connector M12 x 1, 4-pin
Housing material	Stainless steel 1.4305 / AISI 303
Sensing face	Stainless steel 1.4305 / AISI 303
Degree of protection	IP67 / IP68 / IP69K - cordset dependent according to cable specification

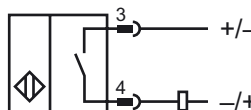
Approvals and certificates

UL approval	cULus Listed, General Purpose
CSA approval	cCSAus Listed, General Purpose
CCC approval	CCC approval / marking not required for products rated ≤ 36 V

Dimensions



Electrical Connection



Pinout



Wire colors in accordance with EN 60947-5-2

1	BN	(brown)
2	WH	(white)
3	BU	(blue)
4	BK	(black)